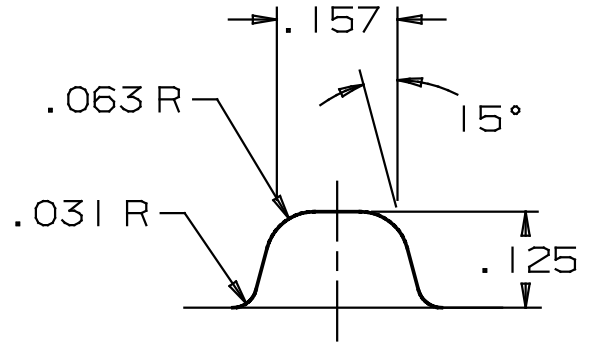
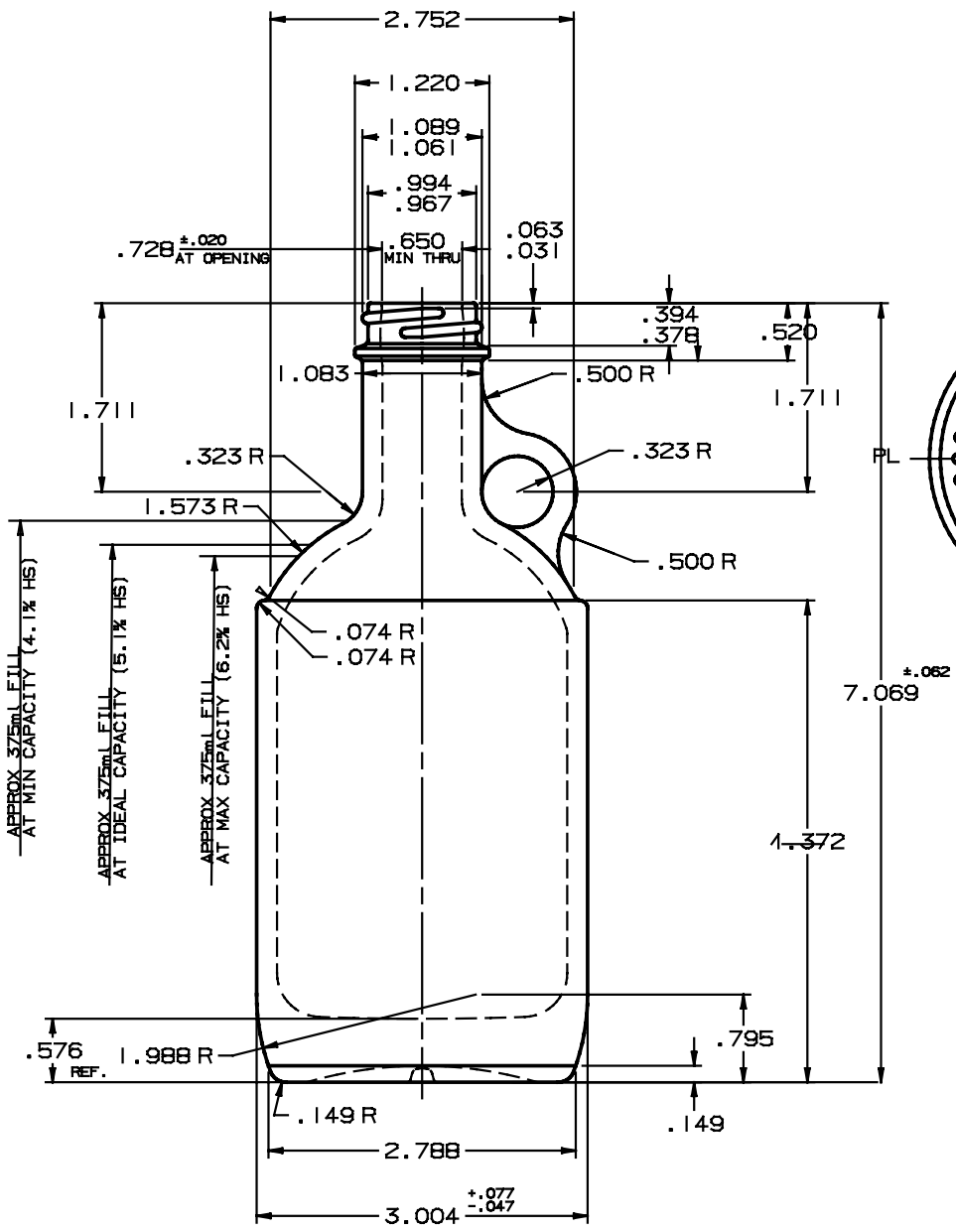


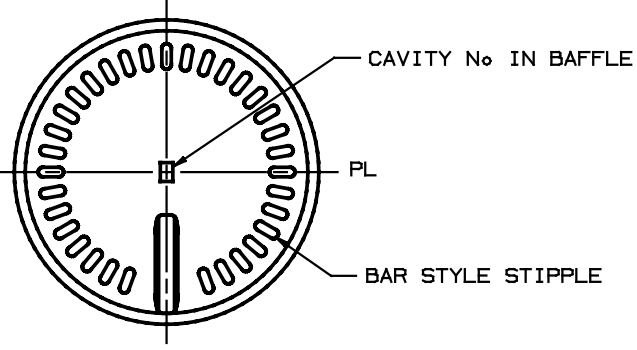
The  
**MOONSHINE JUG 375ml**  
 Fill Point Capacity: 375ml  
 Brimful Capacity: 390.2 - 398.2cc  
 Weight: 16.030oz  
 Height: 7.107  
 Diameter: 3.004  
 Finish: BT  
 Mold#: C-40880

Type:  
**SPIRIT**

VERSION 1	Sept 15, 2012



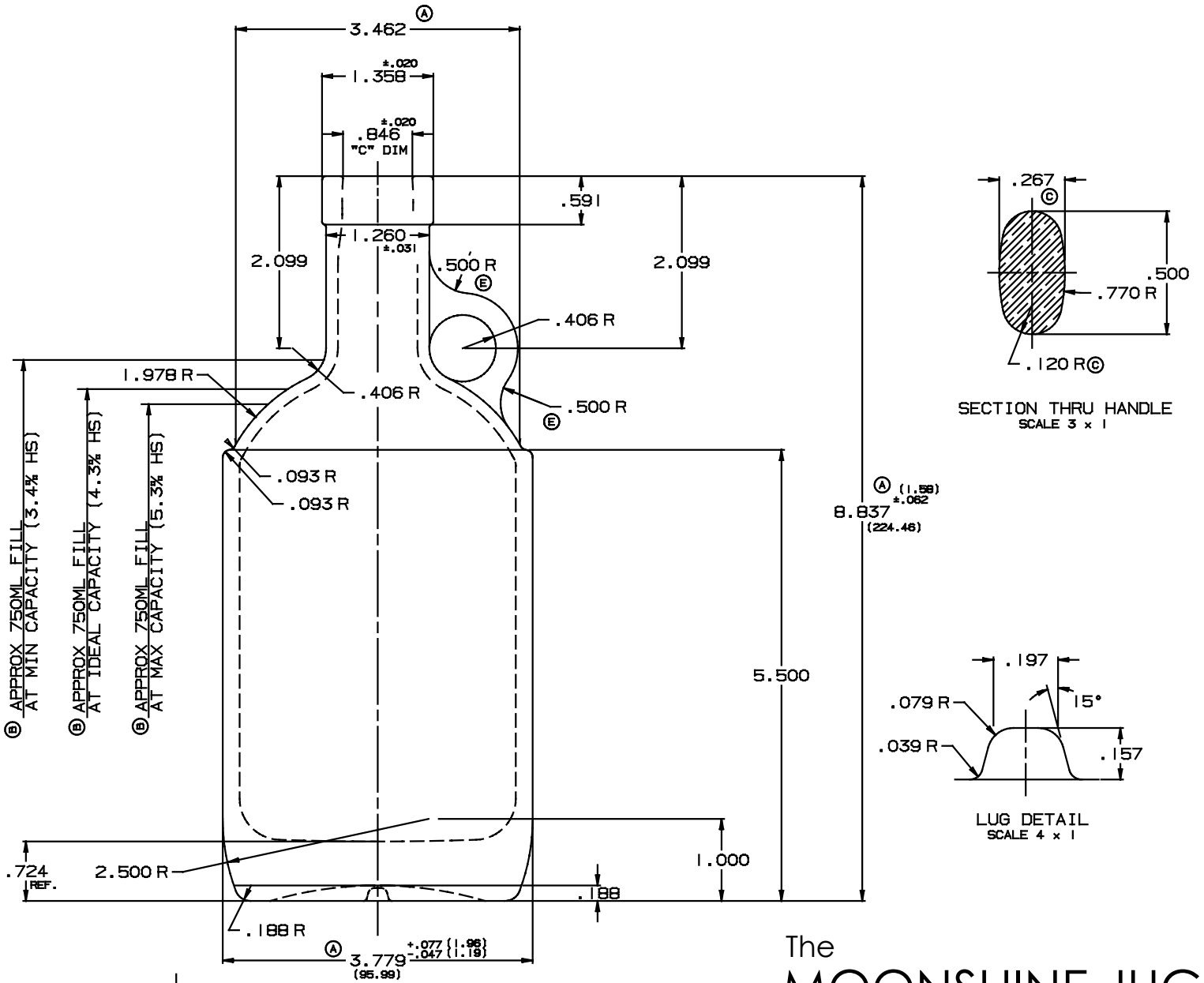
LUG DETAIL  
SCALE 4 x 1



The  
**MOONSHINE JUG 375ml ST**  
 Fill Point Capacity: 375ml  
 Brimful Capacity: 386.5cc - 397.5cc  
 Weight: 16.244oz  
 Height: 7.069 +/- .077  
 Diameter: 3.004 +/- .077  
 Finish: GPI 400-28-405  
 Mold#: C-40948

Type:  
**SPIRIT**

VERSION 1 New Bottle Drawing	Dec. 19, 2011

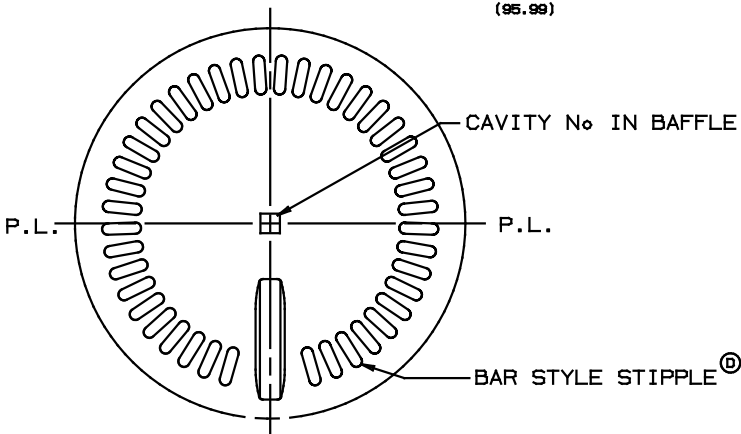


SECTION THRU HANDLE  
SCALE 3 x 1

LUG DETAIL  
SCALE 4 x 1

## The MOONSHINE JUG

Fill Point Capacity: 750ml  
 Brimful Capacity: 782 ± 7.4ccl  
 Weight: 30.848oz  
 Height: 8.837±.062  
 Max Diameter: 3.779 + .077 -.047  
 Finish: BT  
 Mold#: L-925FT



TYPE:  
SPIRIT

VERSION 1 - New Bottle Drawing	JAN. 20, 2011