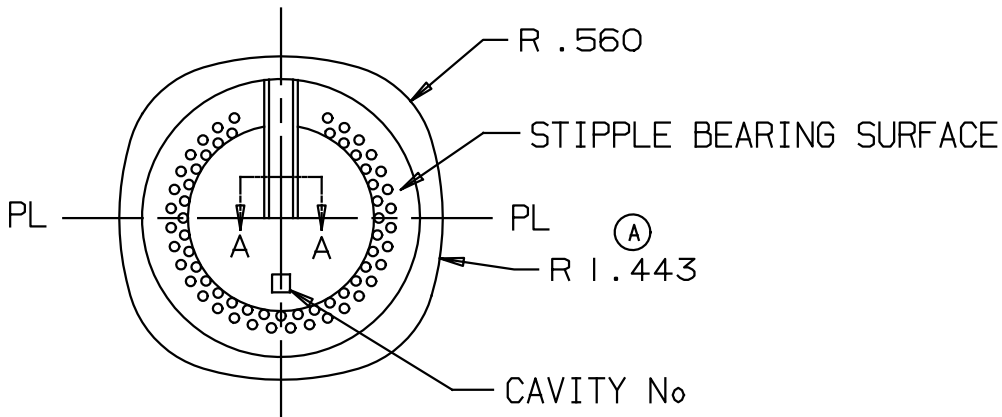
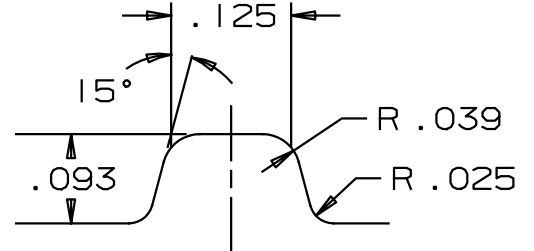


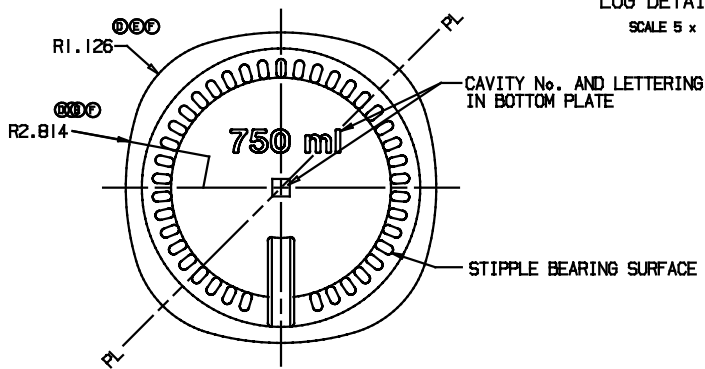
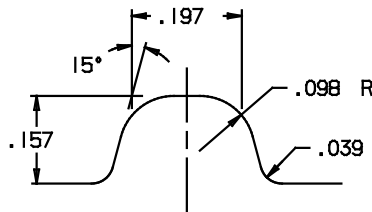
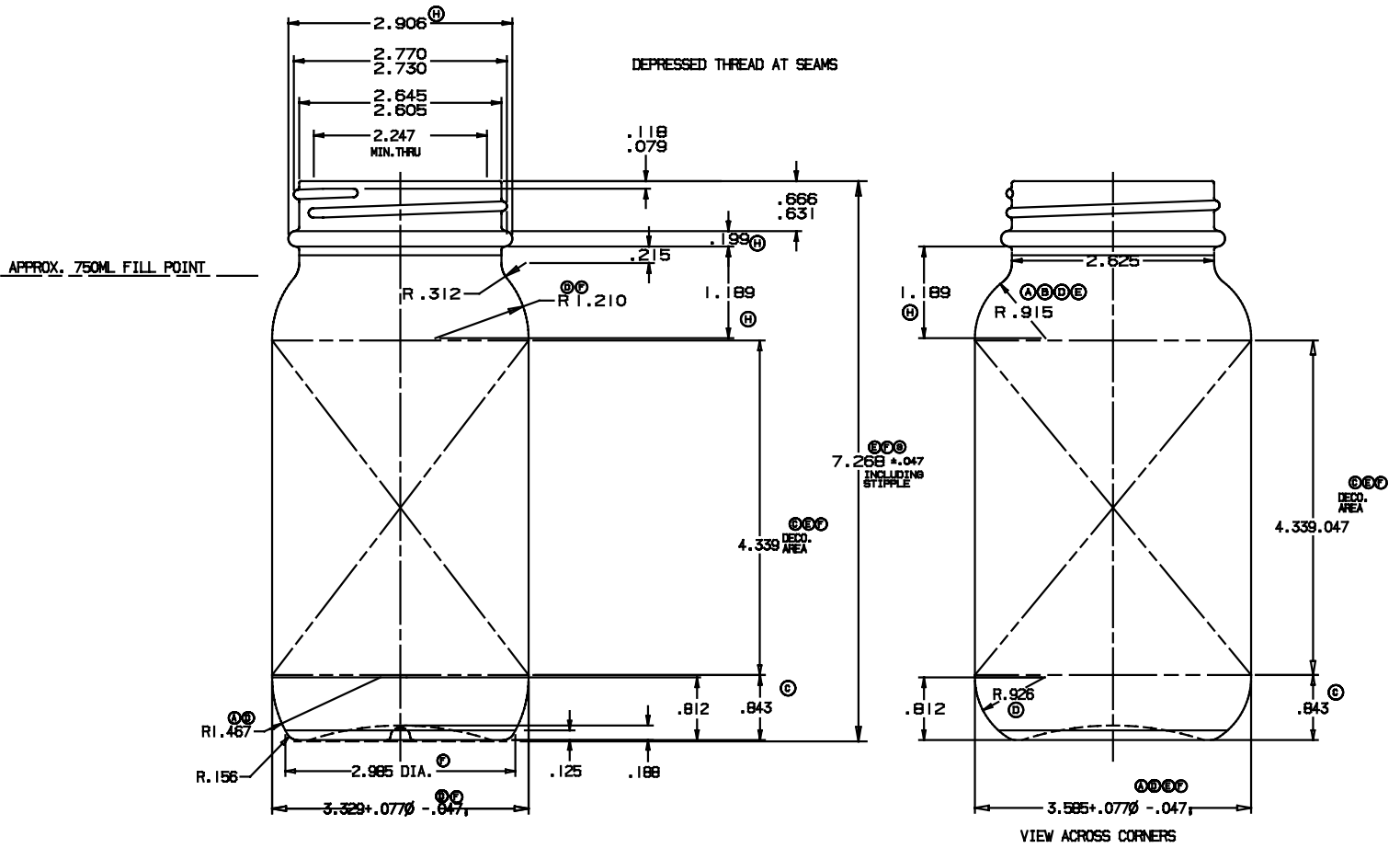
SECTION A-A  
SCALE 5 x 1



The  
**50ml Mayberry**  
Fill Point Capacity: 50ml  
Brimful Capacity: 60.5ml +/- 1.5ml  
Weight: 3.125oz  
Height: 2.87in +/- .031  
Diameter: 1.819in+.056in-.036in  
Finish: GPI 400-38  
Mold#: S-4905R

Type:  
SPIRIT

VERSION 1	JULY 29, 2014



The  
750ml Mayberry  
Fill Point Capacity: 750ml  
Brimful Capacity: 841cc +/- 7.5cc  
Weight: 13.403oz  
Height: 7.268in +/- .047  
Diameter: 3.329in+.077in - .047in  
Finish: GPI 450-70mm-405  
Mold#: L-993RT

Type:  
SPIRIT

VERSION 1	JULY 29, 2014